



ATM



BASIC DATA :

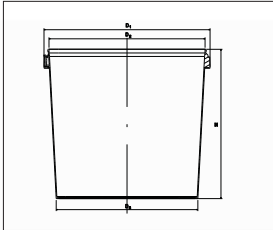
Net weight:
 Container without lid: 3,1 g
 Lid:
 Volume: 0,05 l
 Volume to rim: 0,12 l

TOLERANCES:

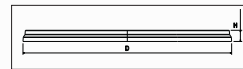
Dimensions: +/- 1 mm
 Weight/Volume: +/- 5%

CONTAINER DIMENSIONES:

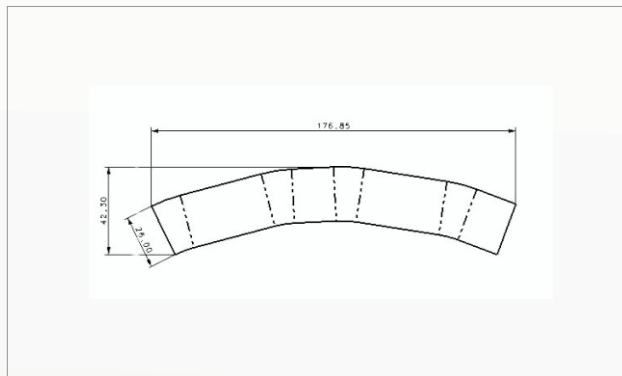
LID DIMENSIONES:



D₁: 68,00 mm x 48,00 mm
 D₂: 60,50 mm x 40,50 mm
 D₃: 52,50 mm x 32,50 mm
 H : 30,50 mm



IML/SCREEN PRINT



IML/Screen print

IML

Screen print

	IML	Screen print
Container		
Width (mm) :	26,00	
Lenght (mm) :	176,85	
Lid		
Width (mm) :		
Lenght (mm) :		
Base		
Width (mm) :		
Lenght (mm) :		

PACKAGING:



Containers

Lids

Pallet dimensiones (mm) :	1100 x 1300	
Box dimensiones (mm):	525x410x420	
Pieces per box :	4760	
Boxes per pallet :	30	
Pieces per pallet :	142800	

COLOUR:

Containers and lids are made white or transparent. By demand they can be made in variety of colours.



HANDLE:

	Weight
Plastic handle	
Metal handle	

www.atm.co.rs

Our packaging is made corresponding law constitution about health integrity of provision and objects of general appliance (Službeni list SFRJ), and act standard about conditions of health integrity objects of general appliance witch can be refere in commerce (Službeni list SFRJ) 26/83). It is produced from category of polypropylen witch is granted for food contact by EU Directive 2002/72/EC and amendments.

